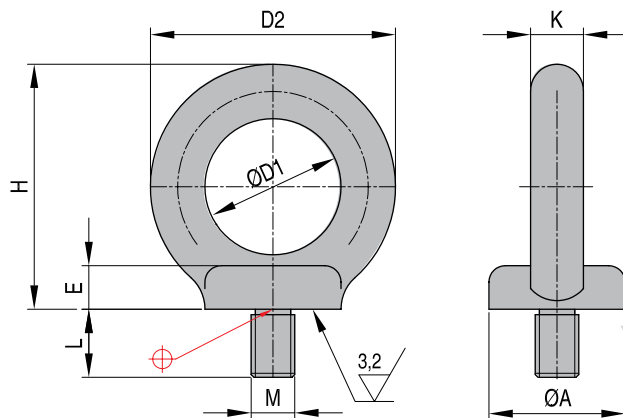


RM

Рым-болты

1.7131 60 HRC



Номер	A	D1	D2	L	H	(H)	K	M
RM 8	20	20	36	13,0	36	1400	8	M8 x 1,25
RM 10	25	25	45	17,0	45	2300	10	M10 x 1,50
RM 12	30	30	54	20,5	53	3400	12	M12 x 1,75
RM 14	35	35	63	27,0	62	4900	14	M14 x 2,00
RM 16	35	35	63	27,0	62	7000	14	M16 x 2,00
RM 18	40	40	72	30,0	71	9000	16	M18 x 2,50

Номер	A	D1	D2	L	H	(H)	K	M
RM 20	40	40	72	30,0	71	12000	16	M20 x 2,50
RM 22	45	45	92	34,0	90	15000	18	M22 x 2,50
RM 24	50	50	90	36,0	90	18000	20	M24 x 3,00
RM 27	50	50	90	36,0	90	18000	20	M27 x 3,00
RM 30	65	60	108	45,0	109	36000	24	M30 x 3,50
RM 36	75	70	126	54,0	128	51000	28	M36 x 4,00

www.system.com.ru

ООО "СИСТЕМА"

CAD reference point