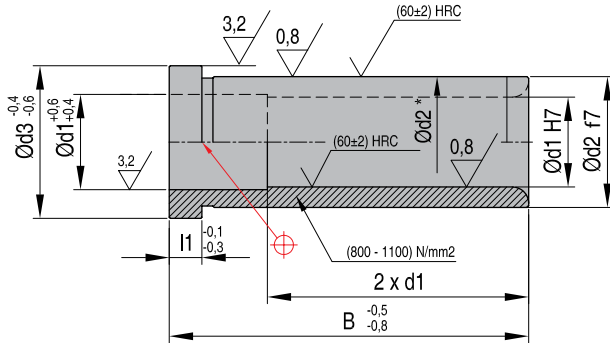


Втулки направляющих колонок

Материал: 1.7131

FBN



(\*)  $B \leq 36 \rightarrow d2 = m6$

(\*)  $B \geq 46 \rightarrow d2 = k6$



www.system.com.ru

Номер d1 x B	d1	Номер d1 x B	d1	d2	d3	l1	Серия
FBN 10x16	10	FBN 9x16	9	14	16	3	N 10
FBN 10x20	10	FBN 9x20	9	14	16	3	
FBN 10x26	10	FBN 9x26	9	14	16	3	
FBN 10x36	10	FBN 9x36	9	14	16	3	
FBN 10x46	10	FBN 9x46	9	14	16	3	N 12
FBN 12x20	12	FBN 11x20	11	18	22	6	
FBN 12x26	12	FBN 11x26	11	18	22	6	
FBN 12x36	12	FBN 11x36	11	18	22	6	
FBN 12x46	12	FBN 11x46	11	18	22	6	N 16
FBN 12x56	12	FBN 11x56	11	18	22	6	
FBN 16x16	16	FBN 15x16	15	24	28	6	
FBN 16x17	16	FBN 15x17	15	24	28	6	
FBN 16x22	16	FBN 15x22	15	24	28	6	N 20/N 22
FBN 16x26	16	FBN 15x26	15	24	28	6	
FBN 16x36	16	FBN 15x36	15	24	28	6	
FBN 16x46	16	FBN 15x46	15	24	28	6	
FBN 16x56	16	FBN 15x56	15	24	28	6	N 25/N 30/N 35/ D 25
FBN 16x66	16	FBN 15x66	15	24	28	6	
FBN 16x76	16	FBN 15x76	15	24	28	6	
FBN 20x17	20	FBN 19x17	19	28	32	6	
FBN 20x22	20	FBN 19x22	19	28	32	6	N 20/N 22
FBN 20x26	20	FBN 19x26	19	28	32	6	
FBN 20x36	20	FBN 19x36	19	28	32	6	
FBN 20x46	20	FBN 19x46	19	28	32	6	
FBN 20x56	20	FBN 19x56	19	28	32	6	N 25/N 30/N 35/ D 25
FBN 20x66	20	FBN 19x66	19	28	32	6	
FBN 20x76	20	FBN 19x76	19	28	32	6	
FBN 20x86	20	FBN 19x86	19	28	32	6	
FBN 24x17	24	FBN 23x17	23	32	36	6	N 25/N 30/N 35/ D 25
FBN 24x22	24	FBN 23x22	23	32	36	6	
FBN 24x26	24	FBN 23x26	23	32	36	6	
FBN 24x36	24	FBN 23x36	23	32	36	6	
FBN 24x46	24	FBN 23x46	23	32	36	6	
FBN 24x56	24	FBN 23x56	23	32	36	6	
FBN 24x66	24	FBN 23x66	23	32	36	6	
FBN 24x76	24	FBN 23x76	23	32	36	6	
FBN 24x86	24	FBN 23x86	23	32	36	6	
FBN 24x96	24	FBN 23x96	23	32	36	6	
FBN 24x106	24	FBN 23x106	23	32	36	6	

Номер d1 x B	d1	Номер d1 x B	d1	d2	d3	l1	Серия
FBN 34x26	34	FBN 33x26	33	42	46	6	N 40/N45/N 50/N 55/ D 30/D35
FBN 34x36	34	FBN 33x36	33	42	46	6	
FBN 34x56	34	FBN 33x56	33	42	46	6	
FBN 34x76	34	FBN 33x76	33	42	46	6	
FBN 34x96	34	FBN 33x96	33	42	46	6	N 60/ D 40/D 45
FBN 34x106	34	FBN 33x106	33	42	46	6	
FBN 34x126	34	FBN 33x126	33	42	46	6	
FBN 34x146	34	FBN 33x146	33	42	46	6	
FBN 42x36	42	FBN 41x36	41	50	54	6	N 60/ D 40/D 45
FBN 42x56	42	FBN 41x56	41	50	54	6	
FBN 42x76	42	FBN 41x76	41	50	54	6	
FBN 42x96	42	FBN 41x96	41	50	54	6	
FBN 42x106	42	FBN 41x106	41	50	54	6	D 50/D 55/D 60
FBN 42x126	42	FBN 41x126	41	50	54	6	
FBN 42x146	42	FBN 41x146	41	50	54	6	
FBN 50x96	50	FBN 49x96	49	60	64	6	
FBN 50x106	50	FBN 49x106	49	60	64	6	D 50/D 55/D 60
FBN 50x126	50	FBN 49x126	49	60	64	6	
FBN 50x146	50	FBN 49x146	49	60	64	6	
FBN 50x166	50	FBN 49x166	49	60	64	6	
FBN 50x186	50	FBN 49x186	49	60	64	6	D 50/D 55/D 60
FBN 50x206	50	FBN 49x206	49	60	64	6	

