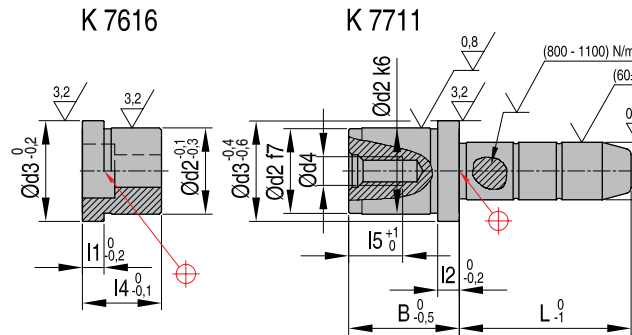


K7711 + K7616

Направляющие колонки + Опорные шайбы

Материал: 1.7131



Номер d2 x d1 x B x L	Номер d2 x d1 x B x L	d2	d3	d4	l2	l5
K7711 16x11x20x30	K7711 16x10x20x30	16	20	M6	3,5	12
K7711 20x15x30x30	K7711 20x14x30x30	20	25	M8	6,0	16
K7711 20x15x30x60	K7711 20x14x30x60	20	25	M8	6,0	16
K7711 20x15x30x100	K7711 20x14x30x100	20	25	M8	6,0	16
K7711 25x19x30x30	K7711 25x18x30x30	25	31	M10	6,0	20
K7711 25x19x30x60	K7711 25x18x30x60	25	31	M10	6,0	20
K7711 25x19x30x80	K7711 25x18x30x80	25	31	M10	6,0	20
K7711 25x19x30x100	K7711 25x18x30x100	25	31	M10	6,0	20
K7711 25x19x40x40	K7711 25x18x40x40	25	31	M10	6,0	20
K7711 25x19x40x120	K7711 25x18x40x120	25	31	M10	6,0	20
K7711 32x24x40x40	K7711 32x23x40x40	32	38	M12	6,0	22
K7711 32x24x40x120	K7711 32x23x40x120	32	38	M12	6,0	22
K7711 32x24x40x140	K7711 32x23x40x140	32	38	M12	6,0	22

www.system.com.ru

ООО "СИСТЕМА"

CAD reference point