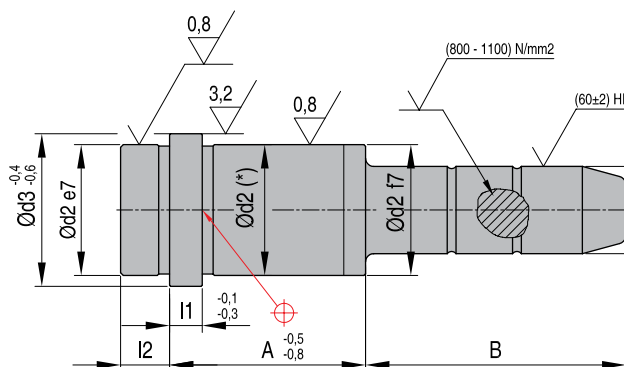


FSC

Направляющие колонки

Материал: 1.7131



(\*) A ≤ 36 → d2 = m6  
(\*) A ≥ 46 → d2 = k6

Номер d1 x A x B	d1	Номер d1 x A x B	d1	d2	d3	l1	l2	Серия
FSC 10x16x20	10	FSC 9x16x20	9	14	16	3	3	N 10
FSC 10x16x36	10	FSC 9x16x36	9	14	16	3	3	
FSC 10x16x66	10	FSC 9x16x66	9	14	16	3	3	
FSC 10x20x26	10	FSC 9x20x26	9	14	16	3	3	
FSC 10x20x46	10	FSC 9x20x46	9	14	16	3	3	
FSC 10x20x66	10	FSC 9x20x66	9	14	16	3	3	
FSC 10x20x86	10	FSC 9x20x86	9	14	16	3	3	
FSC 10x26x36	10	FSC 9x26x36	9	14	16	3	3	
FSC 10x26x56	10	FSC 9x26x56	9	14	16	3	3	
FSC 10x36x26	10	FSC 9x36x26	9	14	16	3	3	
FSC 10x36x46	10	FSC 9x36x46	9	14	16	3	3	
FSC 10x46x36	10	FSC 9x46x36	9	14	16	3	3	
FSC 12x20x20	12	FSC 11x20x20	11	18	22	6	6	N 12
FSC 12x20x26	12	FSC 11x20x26	11	18	22	6	6	
FSC 12x20x66	12	FSC 11x20x66	11	18	22	6	6	
FSC 12x26x26	12	FSC 11x26x26	11	18	22	6	6	
FSC 12x26x36	12	FSC 11x26x36	11	18	22	6	6	
FSC 12x26x56	12	FSC 11x26x56	11	18	22	6	6	
FSC 12x26x96	12	FSC 11x26x96	11	18	22	6	6	
FSC 12x36x36	12	FSC 11x36x36	11	18	22	6	6	
FSC 12x36x56	12	FSC 11x36x56	11	18	22	6	6	
FSC 12x36x86	12	FSC 11x36x86	11	18	22	6	6	
FSC 12x46x46	12	FSC 11x46x46	11	18	22	6	6	
FSC 12x46x66	12	FSC 11x46x66	11	18	22	6	6	
FSC 12x56x36	12	FSC 11x56x36	11	18	22	6	6	
FSC 12x56x56	12	FSC 11x56x56	11	18	22	6	6	
FSC 16x26x26	16	FSC 15x26x26	15	24	28	6	9	N 16
FSC 16x26x36	16	FSC 15x26x36	15	24	28	6	9	
FSC 16x26x46	16	FSC 15x26x46	15	24	28	6	9	
FSC 16x26x66	16	FSC 15x26x66	15	24	28	6	9	
FSC 16x26x86	16	FSC 15x26x86	15	24	28	6	9	
FSC 16x26x146	16	FSC 15x26x146	15	24	28	6	9	
FSC 16x36x26	16	FSC 15x36x26	15	24	28	6	9	
FSC 16x36x36	16	FSC 15x36x36	15	24	28	6	9	
FSC 16x36x46	16	FSC 15x36x46	15	24	28	6	9	
FSC 16x36x66	16	FSC 15x36x66	15	24	28	6	9	
FSC 16x36x86	16	FSC 15x36x86	15	24	28	6	9	
FSC 16x36x126	16	FSC 15x36x126	15	24	28	6	9	
FSC 16x46x36	16	FSC 15x46x36	15	24	28	6	9	
FSC 16x46x46	16	FSC 15x46x46	15	24	28	6	9	
FSC 16x46x56	16	FSC 15x46x56	15	24	28	6	9	
FSC 16x46x76	16	FSC 15x46x76	15	24	28	6	9	
FSC 16x56x36	16	FSC 15x56x36	15	24	28	6	9	
FSC 16x56x56	16	FSC 15x56x56	15	24	28	6	9	
FSC 16x56x76	16	FSC 15x56x76	15	24	28	6	9	
FSC 16x66x46	16	FSC 15x66x46	15	24	28	6	9	
FSC 16x66x76	16	FSC 15x66x76	15	24	28	6	9	
FSC 16x76x56	16	FSC 15x76x56	15	24	28	6	9	
FSC 16x76x86	16	FSC 15x76x86	15	24	28	6	9	

Номер d1 x A x B	d1	Номер d1 x A x B	d1	d2	d3	l1	l2	Серия
FSC 20x26x26	20	FSC 19x26x26	19	28	32	6	9	N 20
FSC 20x26x36	20	FSC 19x26x36	19	28	32	6	9	
FSC 20x26x46	20	FSC 19x26x46	19	28	32	6	9	N 21
FSC 20x26x66	20	FSC 19x26x66	19	28	32	6	9	
FSC 20x26x86	20	FSC 19x26x86	19	28	32	6	9	
FSC 20x26x106	20	FSC 19x26x106	19	28	32	6	9	
FSC 20x26x146	20	FSC 19x26x146	19	28	32	6	9	
FSC 20x26x186	20	FSC 19x26x186	19	28	32	6	9	
FSC 20x36x26	20	FSC 19x36x26	19	28	32	6	9	
FSC 20x36x36	20	FSC 19x36x36	19	28	32	6	9	
FSC 20x36x46	20	FSC 19x36x46	19	28	32	6	9	
FSC 20x36x66	20	FSC 19x36x66	19	28	32	6	9	
FSC 20x36x86	20	FSC 19x36x86	19	28	32	6	9	
FSC 20x36x106	20	FSC 19x36x106	19	28	32	6	9	
FSC 20x36x146	20	FSC 19x36x146	19	28	32	6	9	
FSC 20x36x186	20	FSC 19x36x186	19	28	32	6	9	
FSC 20x46x36	20	FSC 19x46x36	19	28	32	6	9	
FSC 20x46x46	20	FSC 19x46x46	19	28	32	6	9	
FSC 20x46x66	20	FSC 19x46x66	19	28	32	6	9	
FSC 20x46x86	20	FSC 19x46x86	19	28	32	6	9	
FSC 20x46x126	20	FSC 19x46x126	19	28	32	6	9	
FSC 20x46x166	20	FSC 19x46x166	19	28	32	6	9	
FSC 20x56x36	20	FSC 19x56x36	19	28	32	6	9	
FSC 20x56x56	20	FSC 19x56x56	19	28	32	6	9	
FSC 20x56x86	20	FSC 19x56x86	19	28	32	6	9	
FSC 20x56x126	20	FSC 19x56x126	19	28	32	6	9	
FSC 20x66x46	20	FSC 19x66x46	19	28	32	6	9	
FSC 20x66x66	20	FSC 19x66x66	19	28	32	6	9	
FSC 20x66x86	20	FSC 19x66x86	19	28	32	6	9	
FSC 20x76x56	20	FSC 19x76x56	19	28	32	6	9	
FSC 20x76x76	20	FSC 19x76x76	19	28	32	6	9	
FSC 20x76x96	20	FSC 19x76x96	19	28	32	6	9	
FSC 20x86x66	20	FSC 19x86x66	19	28	32	6	9	
FSC 20x86x86	20	FSC 19x86x86	19	28	32	6	9	

www.system.com.ru

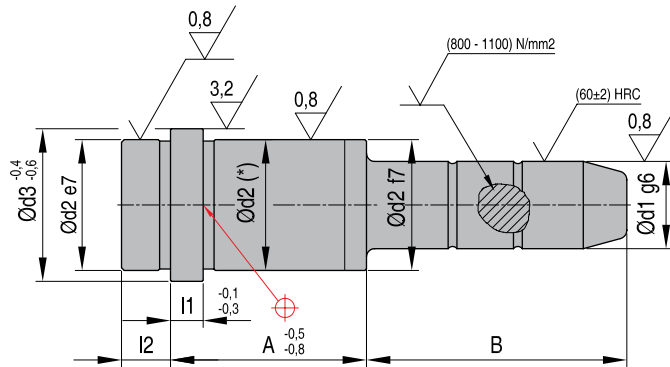
ООО "СИСТЕМА"

CAD reference point

Направляющие колонки

Материал: 1.7131

FSC



(\*) A ≤ 36 → d2 = m6  
(\*) A ≥ 46 → d2 = k6

Номер d1 x A x B	d1	Номер d1 x A x B	d1	d2	d3	l1	l2	Серия
FSC 24x26x26	24	FSC 23x26x26	23	32	36	6	9	N 25
FSC 24x26x46	24	FSC 23x26x46	23	32	36	6	9	N 30
FSC 24x26x66	24	FSC 23x26x66	23	32	36	6	9	N 35
FSC 24x26x86	24	FSC 23x26x86	23	32	36	6	9	
FSC 24x26x106	24	FSC 23x26x106	23	32	36	6	9	
FSC 24x26x146	24	FSC 23x26x146	23	32	36	6	9	
FSC 24x26x206	24	FSC 23x26x206	23	32	36	6	9	
FSC 24x36x26	24	FSC 23x36x26	23	32	36	6	9	
FSC 24x36x36	24	FSC 23x36x36	23	32	36	6	9	
FSC 24x36x56	24	FSC 23x36x56	23	32	36	6	9	
FSC 24x36x76	24	FSC 23x36x76	23	32	36	6	9	
FSC 24x36x96	24	FSC 23x36x96	23	32	36	6	9	
FSC 24x36x126	24	FSC 23x36x126	23	32	36	6	9	
FSC 24x36x166	24	FSC 23x36x166	23	32	36	6	9	
FSC 24x36x206	24	FSC 23x36x206	23	32	36	6	9	
FSC 24x46x46	24	FSC 23x46x46	23	32	36	6	9	
FSC 24x46x66	24	FSC 23x46x66	23	32	36	6	9	
FSC 24x46x86	24	FSC 23x46x86	23	32	36	6	9	
FSC 24x46x106	24	FSC 23x46x106	23	32	36	6	9	
FSC 24x46x126	24	FSC 23x46x126	23	32	36	6	9	
FSC 24x46x166	24	FSC 23x46x166	23	32	36	6	9	
FSC 24x46x206	24	FSC 23x46x206	23	32	36	6	9	
FSC 24x56x36	24	FSC 23x56x36	23	32	36	6	9	
FSC 24x56x46	24	FSC 23x56x46	23	32	36	6	9	
FSC 24x56x56	24	FSC 23x56x56	23	32	36	6	9	
FSC 24x56x76	24	FSC 23x56x76	23	32	36	6	9	
FSC 24x56x96	24	FSC 23x56x96	23	32	36	6	9	
FSC 24x56x126	24	FSC 23x56x126	23	32	36	6	9	
FSC 24x56x166	24	FSC 23x56x166	23	32	36	6	9	
FSC 24x56x246	24	FSC 23x56x246	23	32	36	6	9	
FSC 24x66x46	24	FSC 23x66x46	23	32	36	6	9	
FSC 24x66x66	24	FSC 23x66x66	23	32	36	6	9	
FSC 24x66x86	24	FSC 23x66x86	23	32	36	6	9	
FSC 24x66x106	24	FSC 23x66x106	23	32	36	6	9	
FSC 24x76x56	24	FSC 23x76x56	23	32	36	6	9	
FSC 24x76x76	24	FSC 23x76x76	23	32	36	6	9	
FSC 24x76x96	24	FSC 23x76x96	23	32	36	6	9	
FSC 24x86x66	24	FSC 23x86x66	23	32	36	6	9	
FSC 24x86x86	24	FSC 23x86x86	23	32	36	6	9	
FSC 24x86x106	24	FSC 23x86x106	23	32	36	6	9	
FSC 24x96x56	24	FSC 23x96x56	23	32	36	6	9	
FSC 24x96x76	24	FSC 23x96x76	23	32	36	6	9	
FSC 24x96x96	24	FSC 23x96x96	23	32	36	6	9	
FSC 24x96x126	24	FSC 23x96x126	23	32	36	6	9	
FSC 24x106x86	24	FSC 23x106x86	23	32	36	6	9	
FSC 24x106x146	24	FSC 23x106x146	23	32	36	6	9	
FSC 24x126x126	24	FSC 23x126x126	23	32	36	6	9	
FSC 24x126x146	24	FSC 23x126x146	23	32	36	6	9	
FSC 24x146x146	24	FSC 23x146x146	23	32	36	6	9	
FSC 34x36x46	34	FSC 33x36x46	33	42	46	6	9	N 40

Номер d1 x A x B	d1	Номер d1 x A x B	d1	d2	d3	l1	l2	Серия
FSC 34x36x66	34	FSC 33x36x66	33	42	46	6	9	N 45
FSC 34x36x86	34	FSC 33x36x86	33	42	46	6	9	N 50
FSC 34x36x126	34	FSC 33x36x126	33	42	46	6	9	N 55
FSC 34x36x186	34	FSC 33x36x186	33	42	46	6	9	
FSC 34x36x246	34	FSC 33x36x246	33	42	46	6	9	
FSC 34x56x66	34	FSC 33x56x66	33	42	46	6	9	
FSC 34x56x96	34	FSC 33x56x96	33	42	46	6	9	
FSC 34x56x126	34	FSC 33x56x126	33	42	46	6	9	
FSC 34x56x166	34	FSC 33x56x166	33	42	46	6	9	
FSC 34x56x206	34	FSC 33x56x206	33	42	46	6	9	
FSC 34x56x246	34	FSC 33x56x246	33	42	46	6	9	
FSC 34x76x66	34	FSC 33x76x66	33	42	46	6	9	
FSC 34x76x106	34	FSC 33x76x106	33	42	46	6	9	
FSC 34x76x146	34	FSC 33x76x146	33	42	46	6	9	
FSC 34x96x66	34	FSC 33x96x66	33	42	46	6	9	
FSC 34x96x96	34	FSC 33x96x96	33	42	46	6	9	
FSC 34x96x146	34	FSC 33x96x146	33	42	46	6	9	
FSC 34x106x76	34	FSC 33x106x76	33	42	46	6	9	
FSC 34x106x106	34	FSC 33x106x106	33	42	46	6	9	
FSC 34x106x146	34	FSC 33x106x146	33	42	46	6	9	
FSC 34x126x86	34	FSC 33x126x86	33	42	46	6	9	
FSC 34x126x126	34	FSC 33x126x126	33	42	46	6	9	
FSC 34x126x146	34	FSC 33x126x146	33	42	46	6	9	
FSC 34x146x86	34	FSC 33x146x86	33	42	46	6	9	
FSC 34x146x106	34	FSC 33x146x106	33	42	46	6	9	
FSC 34x146x166	34	FSC 33x146x166	33	42	46	6	9	
FSC 34x166x166	34	FSC 33x166x166	33	42	46	6	9	
FSC 34x186x186	34	FSC 33x186x186	33	42	46	6	9	
FSC 34x206x206	34	FSC 33x206x206	33	42	46	6	9	
FSC 42x36x56	42	FSC 41x36x56	41	50	54	6	9	N 60
FSC 42x36x96	42	FSC 41x36x96	41	50	54	6	9	
FSC 42x36x126	42	FSC 41x36x126	41	50	54	6	9	
FSC 42x56x76	42	FSC 41x56x76	41	50	54	6	9	
FSC 42x56x126	42	FSC 41x56x126	41	50	54	6	9	
FSC 42x56x166	42	FSC 41x56x166	41	50	54	6	9	
FSC 42x76x96	42	FSC 41x76x96	41	50	54	6	9	
FSC 42x76x146	42	FSC 41x76x146	41	50	54	6	9	
FSC 42x96x76	42	FSC 41x96x76	41	50	54	6	9	
FSC 42x96x96	42	FSC 41x96x96	41	50	54	6	9	
FSC 42x96x146	42	FSC 41x96x146	41	50	54	6	9	
FSC 42x106x96	42	FSC 41x106x96	41	50	54	6	9	
FSC 42x106x146	42	FSC 41x106x146	41	50	54	6	9	
FSC 42x126x86	42	FSC 41x126x86	41	50	54	6	9	
FSC 42x126x146	42	FSC 41x126x146	41	50	54	6	9	
FSC 42x146x96	42	FSC 41x146x96	41	50	54	6	9	
FSC 42x146x146	42	FSC 41x146x146	41	50	54	6	9	
FSC 42x166x166	42	FSC 41x166x166	41	50	54	6	9	
FSC 42x186x186	42	FSC 41x186x186	41	50	54	6	9	
FSC 42x206x206	42	FSC 41x206x206	41	50	54	6	9	

CAD reference point

www.system.com.ru