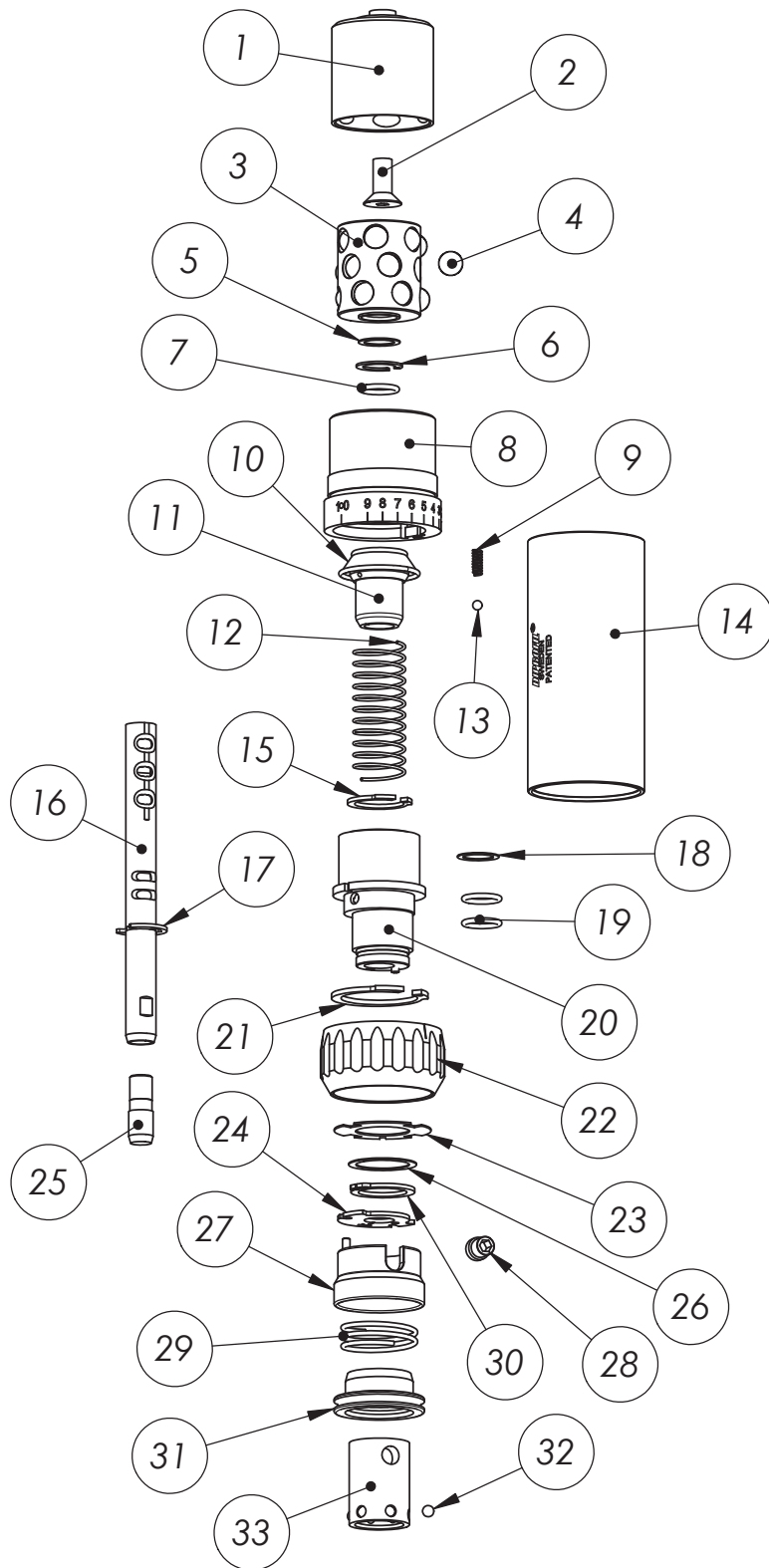


Parts for Air-motor FML-B and HPL-B



Pos. Item No. Description Units / Machine

1.	HSL-6	Rotor ring	1
2.	42010	Screw for rotor ring	1
3.	HSL-5	Rotor	1
4.	FND-X18# alt. HSL-X*	Piston balls (Steel #/Plastic*)	18 (Set)
5.	HSL-14	Washer	2
6.	HSL-20	Circlip	1
7.	SOR-121P5	O-Ring	1
8.	FND-F# alt. HSL-F*	Front regulator body	1
9.	HSL-18	Spring	1
10.	HSL-8	Membrane	1
11.	HSL-7	Adjusting sleeve	1
12.	HSL-9	Spring	1
13.	STK-2,5	Steel ball	1
14.	HSL-17	Outer sleeve	1
15.	46003	Circlip	1
16.	HSL-A	Slide shaft with pin	1
17.	46008	Circlip	1
18.	HSL-14	Washer	1
19.	SOR-121P5	O-Ring	2
20.	FND-B# alt. HSL-B*	Rear regulator body	1
21.	46005	Circlip	1
22.	HSL-D	Regulating wheel	1
23.	HSL-15	Spring washer	1
24.	HSL-43	Locking washer	1
25.	HSL-23	Filter	1
26.	HSL-24	Washer	1
27.	FND-G# alt. HSL-G*	Reversing wheel with pin	1
28.	HSL-45	Lock screw	1
29.	HSL-42	Spring	1
30.	46002	Circlip	1
31.	HSL-44	Lock ring	1
32.	44005	Steel ball	6
33.	HSL-40	Front quick connection	1

For Polishing / Filing machines Air-motor type **FML-B**, max **10,000 RPM**

* For Rotary Hand-piece Air-motor type **HPL-B**, max **30,000 RPM**