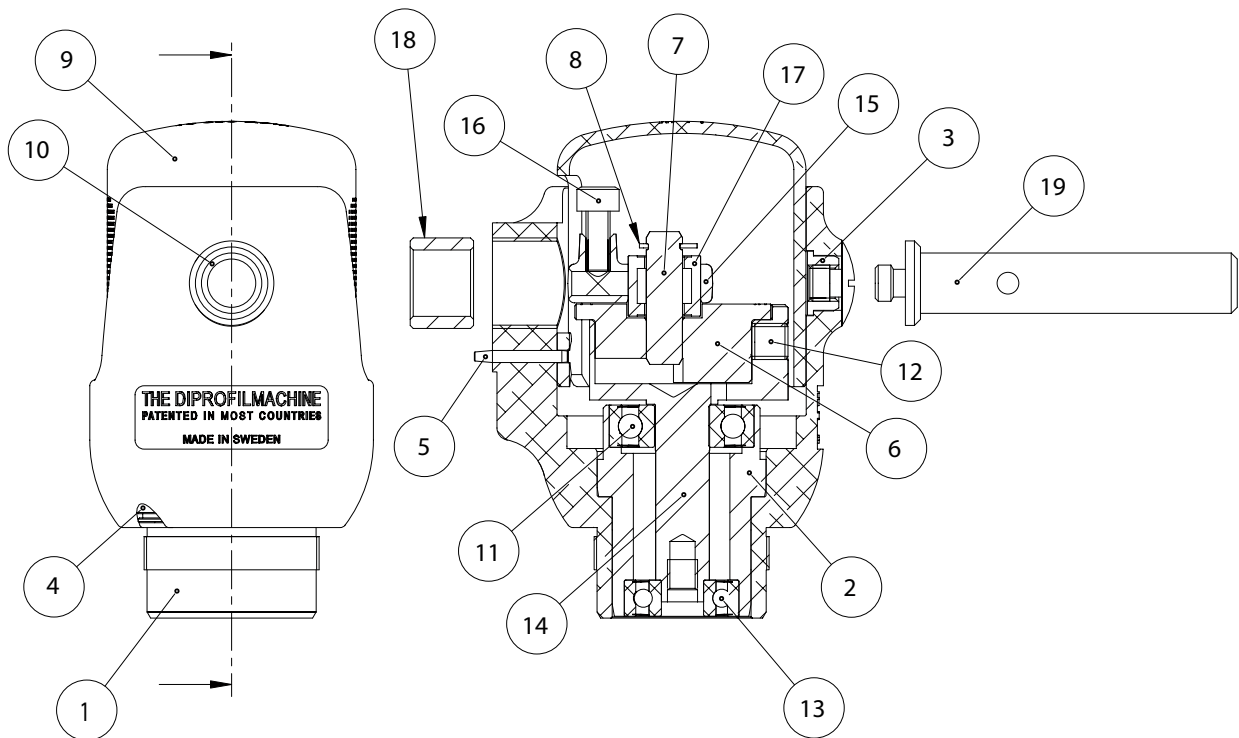


FPM-G Filing Machine Housing



Pos.	Item No.	Description	Sub. assy. No.
1.	FPM-3	Housing	
2.	FPM-2	Bushing	
3.	FNB-2	Steel bushing	FPM-A
4.	48026	Air-hose connection	
5.	FNA-25	Pin	
6.	FMM-17	Adjustable eccentric	FMM-K
7.	FMM-18	Cylinder pin	
8.	FNE-47	Circlip	
9.	FMM-3	Machine cover	
10.	FNA-30	Screw	
11.	44029	Ball bearing	
12.	FNE-61	Locking screw	
13.	44030	Ball bearing	
14.	FPM-1	Main spindle	
15.	FNH-11	Linkage	
16.	42053	Screw for connecting rod	FNH-L
17.	FNE-102	Needle bearing	
18.	FMP-1	Bushing (only used with 3,5 mm tool-holders)	
19.	FNA-31	Machine holder (accessory)	